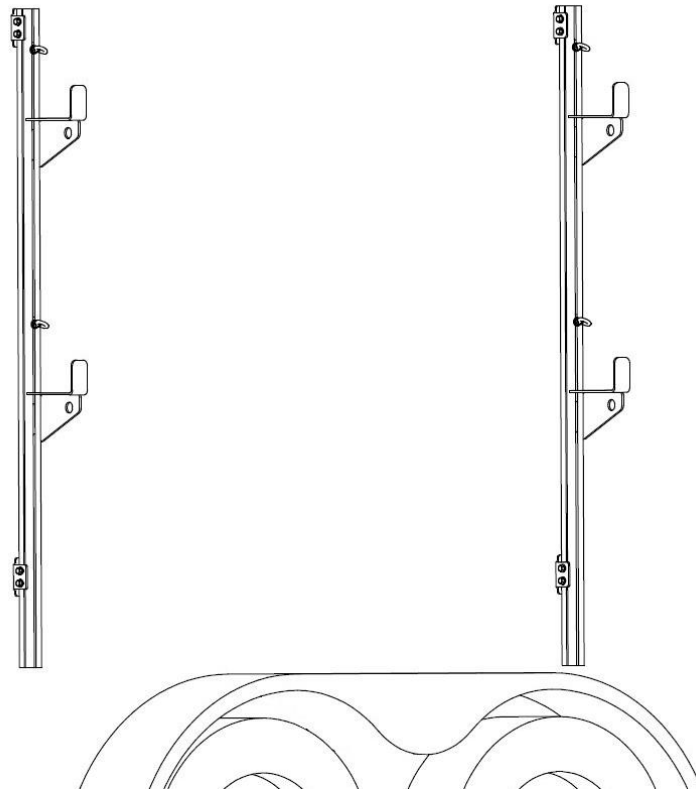




WM-01

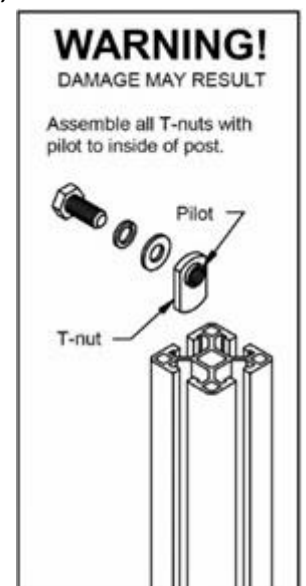
Wall Mount Ladder Rack Kit

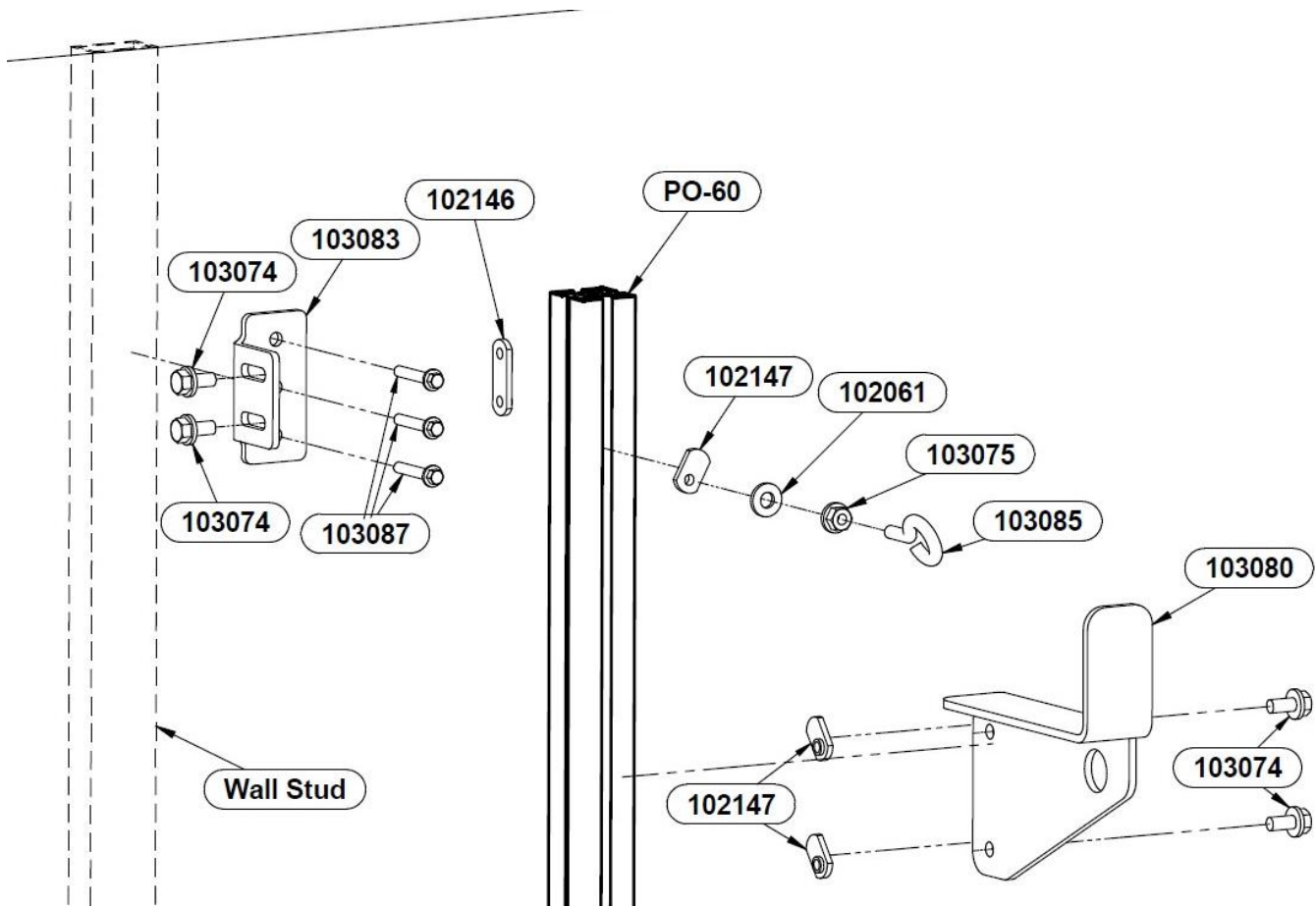
Thank you for purchasing this GRIDIRON product



Assembly and Installation

1. Plan the layout of your Ladder Rack Kit so that the Mount Brackets and Ladder Hooks will be fastened to opposite sides of each post. (In a normal installation, the mounts are on the left side of the post and the hooks on the right side, but variations are possible.) To achieve a more finished look, the post can be mounted to the inside slotted face of the bracket to hide the TEK screw fasteners.
2. With TEK screws penetrating into a vertical support (wall stud), fasten two Slotted Mount Brackets to the side of the trailer where each post is to be mounted.
3. In each bracket, assemble the bolts through the slots into the double T-Nut loosely. Slide the posts over the T-Nuts into position and tighten.
4. Assemble the bolts and T-nuts loosely on the ladder hooks and the eyebolts. Slide the parts into position and tighten.





Package Contents		
Qty	Part #	Description
2	PO-60	5 ft Gridiron Post
4	102061	Washer, Flat 5/16 SAE Zinc
4	102146	T-Nut, Double
12	102147	T-Nut, Single
16	103074	Bolt, 5/16-18 x 5/8, Hex, Ser Flange
4	103075	Nut, 5/16-18, Hex, Ser Flange
4	103080	Ladder Hook
4	103083	Post Mount Bracket, slotted
4	103085	Eyebolt, 5/16-18 X 3/4, zinc
12	103087	Screw, #14 x 1-1/2, TEK HH, self drill



GRIDIRON CTS

844-240-8695

www.gridironcts.com

info@gridironcts.com

© 2018 GRIDIRON CTS
All rights reserved

The GRIDIRON Lifetime Guarantee

We want you to be a satisfied GRIDIRON customer forever, so we stand behind our GRIDIRON products with a lifetime guarantee.

Performance Guarantee

If at any time, you are not completely satisfied with the performance of your GRIDIRON product, we will correct or replace it. Simply return it to an authorized dealer.

Some Exceptions

The springs, shock cord elements, cutting edges, vinyl and plastic protectors, and finish provided with your GRIDIRON products are subject to normal wear and tear and are not covered by this guarantee.